

OPTICLUX 10-1 C T1

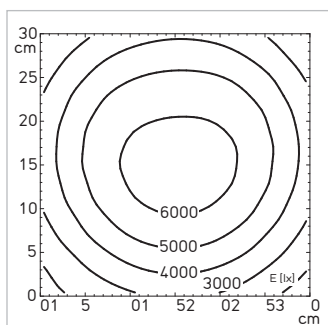
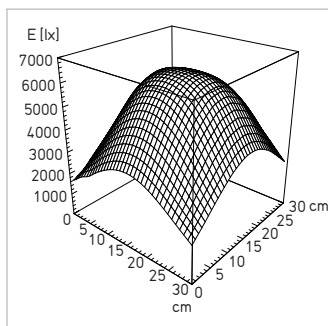
TECHNICAL DATA

FITTED WITH	1 x LED module
LUMINOUS POWER	6000 lux / 0.15 m *
COLOR RENDERING INDEX	CRI > 95
COLOR TEMPERATURE	6500 K *
LENS DIMENSIONS	Ø 160 mm
MAGNIFICATION	3,5 (approx. enlargement up to 1,9x)
LENS MATERIAL	PMMA (hardened)
OPERATION EQUIPMENT	Electronic transformer
VOLTAGE	100-240 V; 50/60 Hz
CORD LENGTH	Direct power supply
LUMINAIRE BODY	Polyamid (PA)
WEIGHT (NET)	ca. 9,1 kg
POWER CONSUMPTION	12 W
USAGE	Touch panel on light head
CLASS OF PROTECTION	I
PROTECTION RATING	IP 20
STANDARDS MET	EN 60601-1, EN 60601-2-41
SPECIAL FEATURES	Scratch-resistant plastic lens, continuously dimmable, rotary joint (360° turnover axis)
MOUNTING	Ceiling mount, ceiling tube can be cut on site (length: 40-116 cm)
ACCESSORIES	Intermediate ceiling adapter
ORDER NUMBER	D15.817.000-00752639 - pure white

MAGNIFIER LUMINAIRE



LIGHT DISTRIBUTION



TECHNICAL DRAWING

